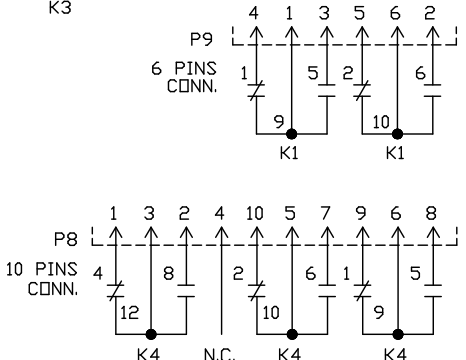
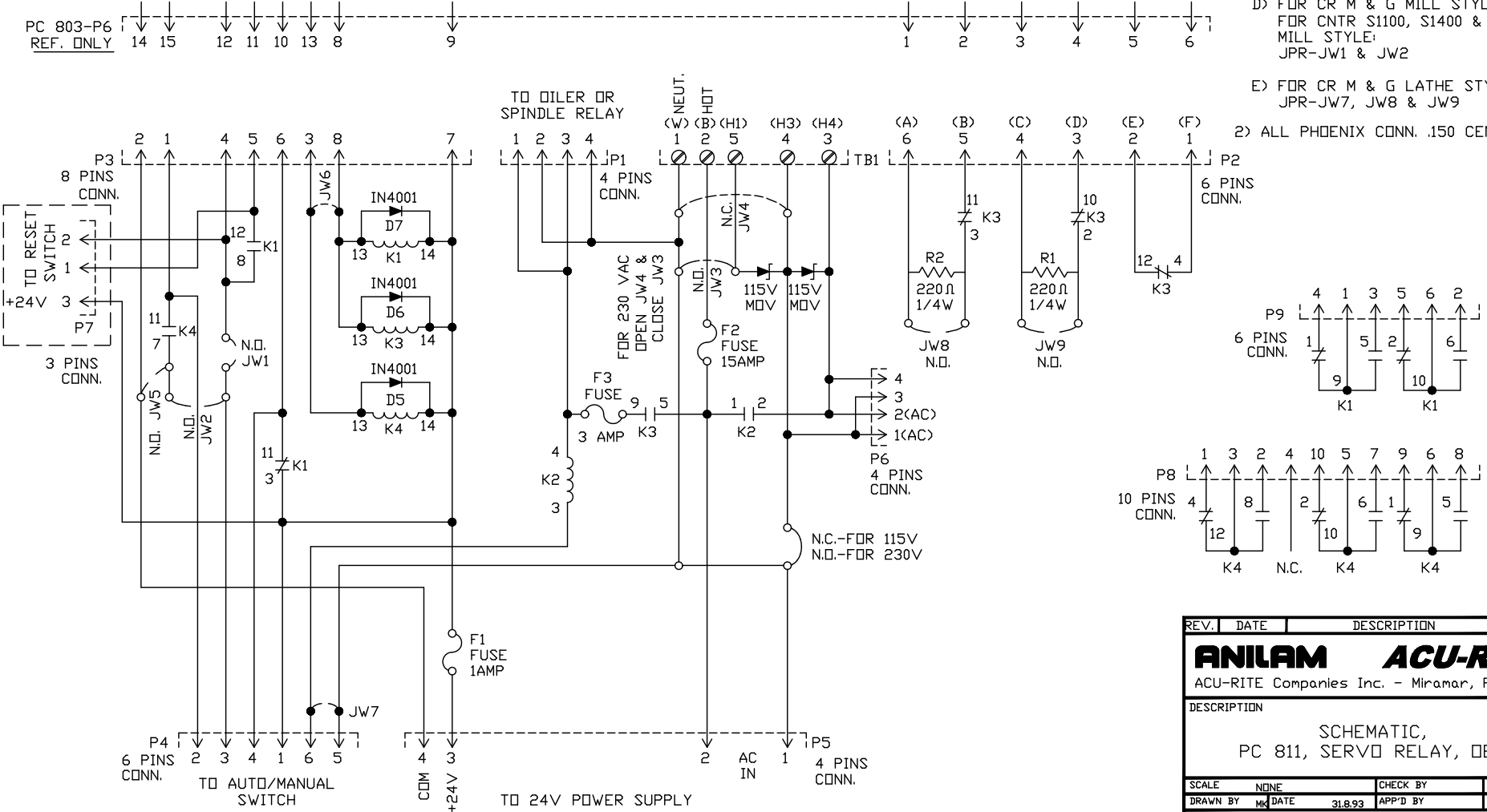


GENERAL NOTES

- 1) STANDARDIZATION:
 - A) FOR CR II SERVO AMP MILL PACKAGES-OEM STYLE: JPR-JW1
 - B) FOR CR II OLD STANDARD STYLE MILL PACKAGES: JPR-JW2 & JW5
 - C) FOR CR II LATHE STYLE: JPR-JW6, JW7, JW8 & JW9
 - D) FOR CR M & G MILL STYLE: FOR CNTR S1100, S1400 & S1200 MILL STYLE: JPR-JW1 & JW2
 - E) FOR CR M & G LATHE STYLE: JPR-JW7, JW8 & JW9

2) ALL PHOENIX CONN. .150 CENTER

RELAY: N.O.
 N.C.
 K2: SOLID STATE RELAY
 120/240 VAC COIL
 K1, K3, K4: SOCKET MOUNT 24 VDC
 COIL



All rights reserved. Subject to change without notice.

REV.	DATE	DESCRIPTION	BY
ANILAM ACU-RITE			
ACU-RITE Companies Inc. - Miramar, FL U.S.A.			
DESCRIPTION			
SCHEMATIC, PC 811, SERVO RELAY, OEM			
SCALE	NONE	CHECK BY	DATE
DRAWN BY	WJ	DATE	31.8.93
APP'D BY		DATE	
DRAWING NO.	90100302	SHT 1	OF 1
REV.			